



STORAGE SOLUTION

SERVING THE FOOD INDUSTRY SINCE 1951

POLY-TOP WORK TABLES WITH BACKSPLASH



***Poly-top work tables
with undershelves and 6" backsplash***

Made of stainless steel frame with 6" stainless steel backsplash, these poly top tables are convenient kitchen prep tables ideal for deli shops and any commercial kitchen. Poly cutting boards sold separately.



WARRANTY



*Only applies to
41279 and 41281*



Authorized Dealer

STORAGE SOLUTION

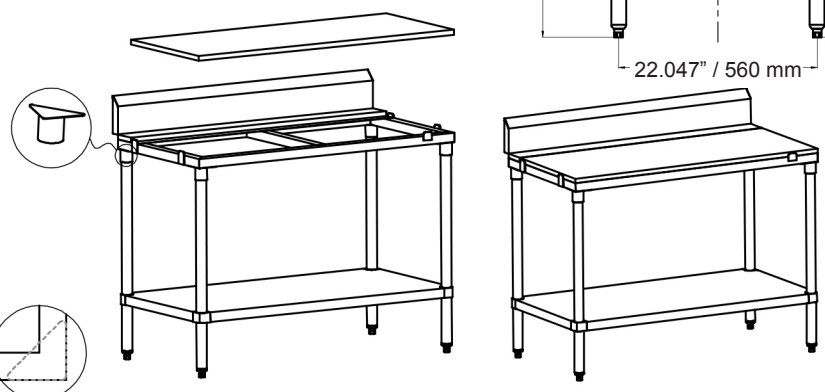
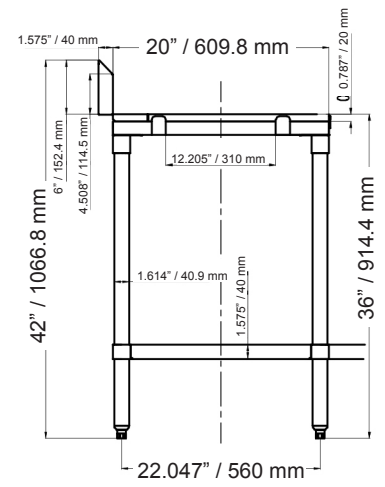
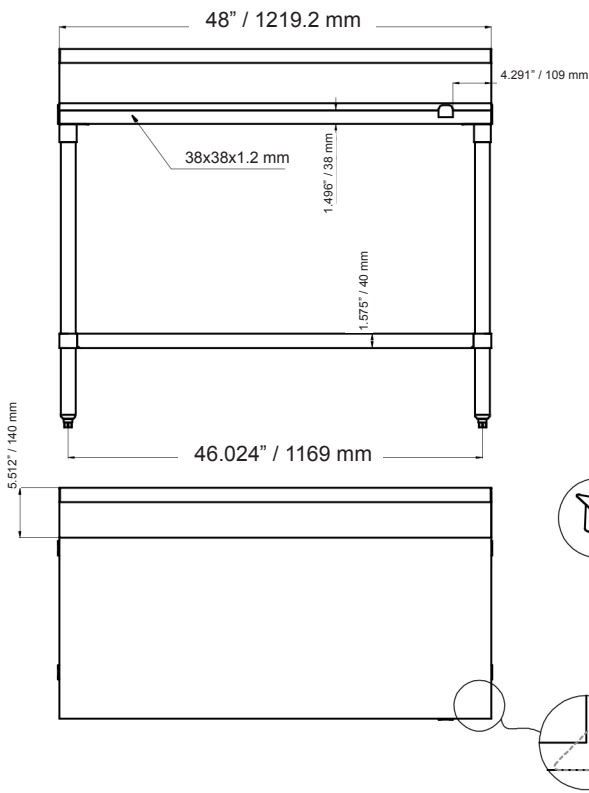
SOLID POLY TOP FRAME WITH SHELF 24" x 48" WITH BACKSPLASH



ITEM	41247
UNDERSHELF ITEM NO.	44279
DESCRIPTION	Solid poly top frame with shelf 24" x 48" with backsplash
OVER-ALL LOADING CAPACITY	600 lbs. / 272 kg.
UNDERSHELF CAPACITY	440 lbs. / 200 kg.
WEIGHT	53 lbs. / 24 kg.
PACKAGING WEIGHT	57.2 lbs. / 25.9 kg.
DIMENSIONS (DWH)	24" x 48" x 42" 609.6 x 1219.2 x 1066.8 mm
PACKAGING DIMENSIONS	26" x 50" x 9" 660.4 x 1270 x 228.6 mm

- OPTIONAL POLY BOARDS** (Items sold separately)
- **ITEM 43195:** 20" x 48" x 3/4" Poly Board (Loading Capacity: 490 lbs)
 - **ITEM 43196:** 20" x 48" x 1" Poly Board (Loading Capacity: 540 lbs.)

TECHNICAL DRAWINGS AND DIMENSIONS



OMCAN INC.

Telephone: 1-800-465-0234
 Fax: (905) 607-0234
 Email: sales@omcan.com
 Website: www.omcan.com



Follow us to keep up to date with the latest news and offers



STORAGE SOLUTION

SOLID POLY TOP FRAME WITH SHELF 30" x 36" WITH BACKSPLASH

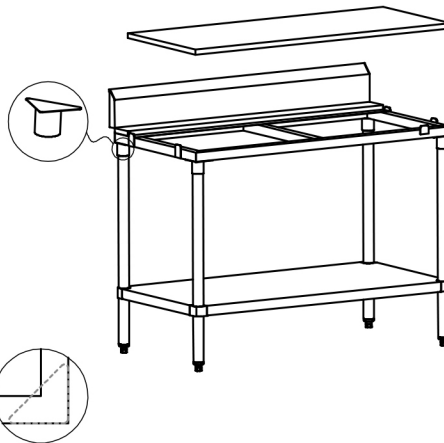
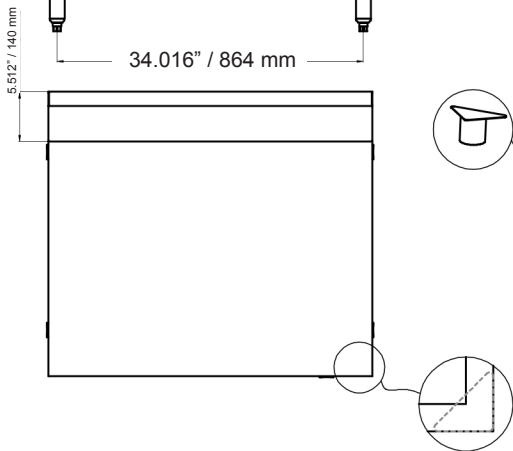
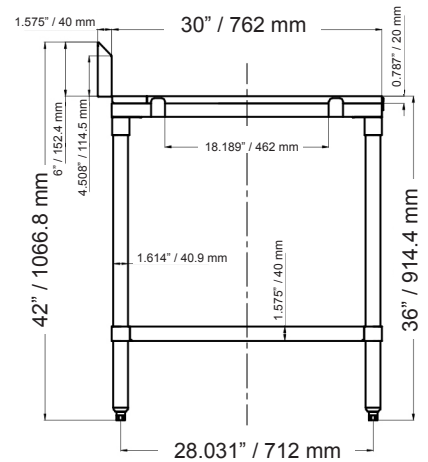
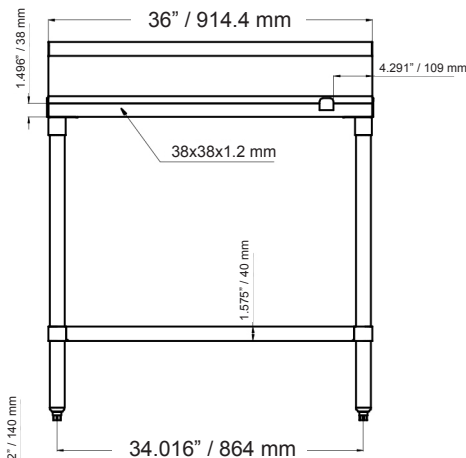


ITEM	41275
UNDERSHELF ITEM NO.	44280
DESCRIPTION	Solid poly top frame with shelf 30" x 36" with backsplash
OVER-ALL LOADING CAPACITY	600 lbs. / 272 kg.
UNDERSHELF CAPACITY	440 lbs. / 200 lbs.
WEIGHT	48.4 lbs. / 21.9 kg.
PACKAGING WEIGHT	52.8 lbs. / 23.9 kg.
DIMENSIONS (DWH)	30" x 36" x 42" 762 x 914.4 x 1066.8 mm
PACKAGING DIMENSIONS	32" x 38" x 9" 812.8 x 965.2 x 228.6 mm

OPTIONAL POLY BOARDS *(Items sold separately)*

- **ITEM 43197:** 26" x 36" x 3/4" Poly Board (Loading Capacity: 490 lbs.)
- **ITEM 43198:** 26" x 36" x 1" Poly Board (Loading Capacity: 540 lbs.)

TECHNICAL DRAWINGS AND DIMENSIONS



OMCAN INC.

Telephone: 1-800-465-0234

Fax: (905) 607-0234

Email: sales@omcan.com

Website: www.omcan.com



Follow us to keep up to date with the latest news and offers



2016.E.O.E

STORAGE SOLUTION

SOLID POLY TOP FRAME WITH SHELF 30" x 48" WITH BACKSPLASH

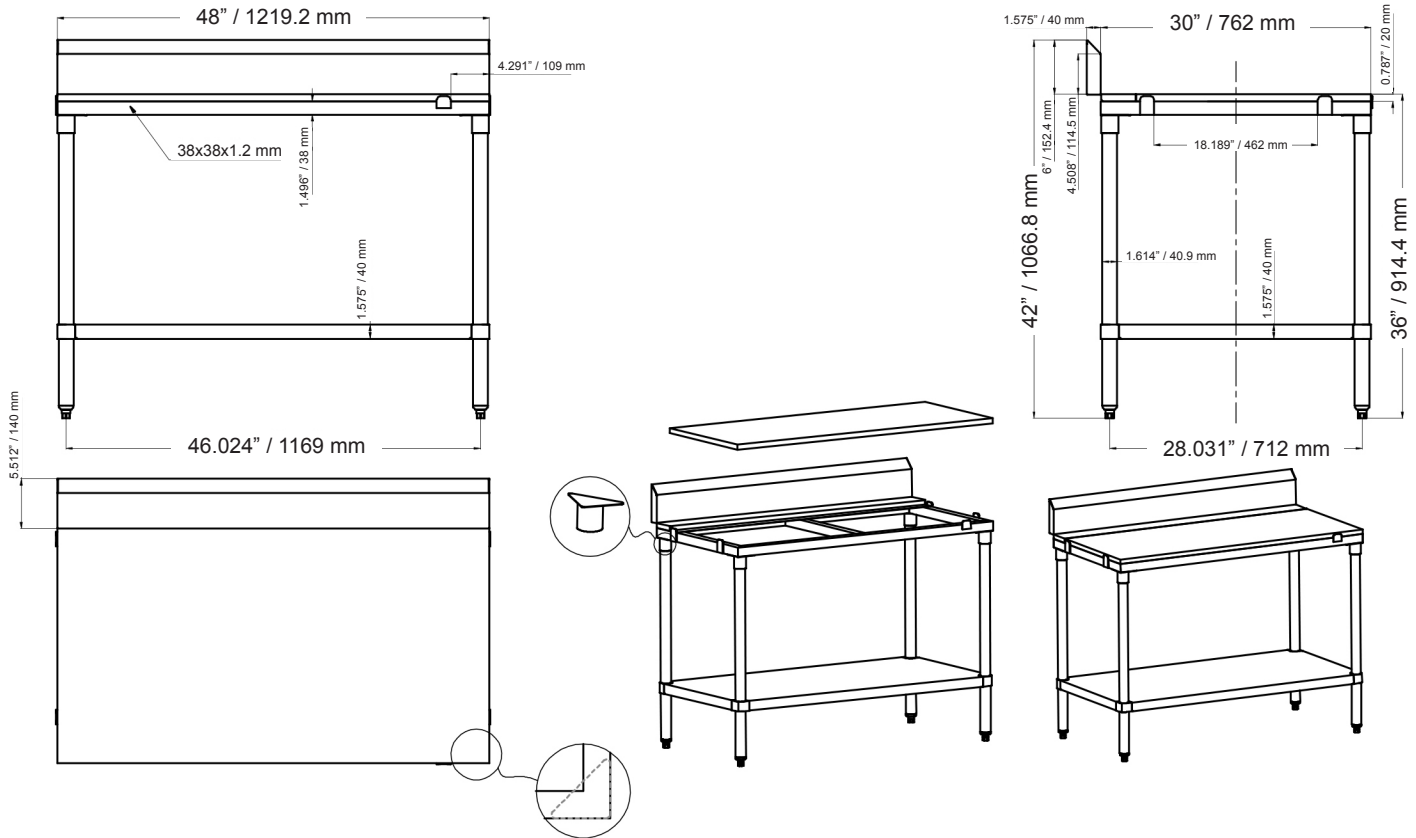


ITEM	41277
UNDERSHELF ITEM NO.	44281
DESCRIPTION	Solid poly top frame with shelf 30" x 48" with backsplash
OVER-ALL LOADING CAPACITY	700 lbs. / 317.5 kg.
UNDERSHELF CAPACITY	465 lbs. / 210.9 kg.
WEIGHT	57.2 lbs. / 25.9 kg.
PACKAGING WEIGHT	61.6 lbs. / 27.9 kg.
DIMENSIONS (DWH)	30" x 48" x 42" 762 x 1219.2 x 1066.8 mm
PACKAGING DIMENSIONS	32" x 50" x 9" 812.8 x 1270 x 228.6 mm

OPTIONAL POLY BOARDS *(Items sold separately)*

- **ITEM 43199:** 26" x 48" x 3/4" Poly Board (Loading Capacity: 545 lbs.)
- **ITEM 43200:** 26" x 48" x 1" Poly Board (Loading Capacity: 585 lbs.)

TECHNICAL DRAWINGS AND DIMENSIONS



OMCAN INC.

Telephone: 1-800-465-0234
 Fax: (905) 607-0234
 Email: sales@omcan.com
 Website: www.omcan.com



Follow us to keep up to date with the latest news and offers



STORAGE SOLUTION

SOLID POLY TOP FRAME WITH SHELF 30" x 60" WITH BACKSPASH

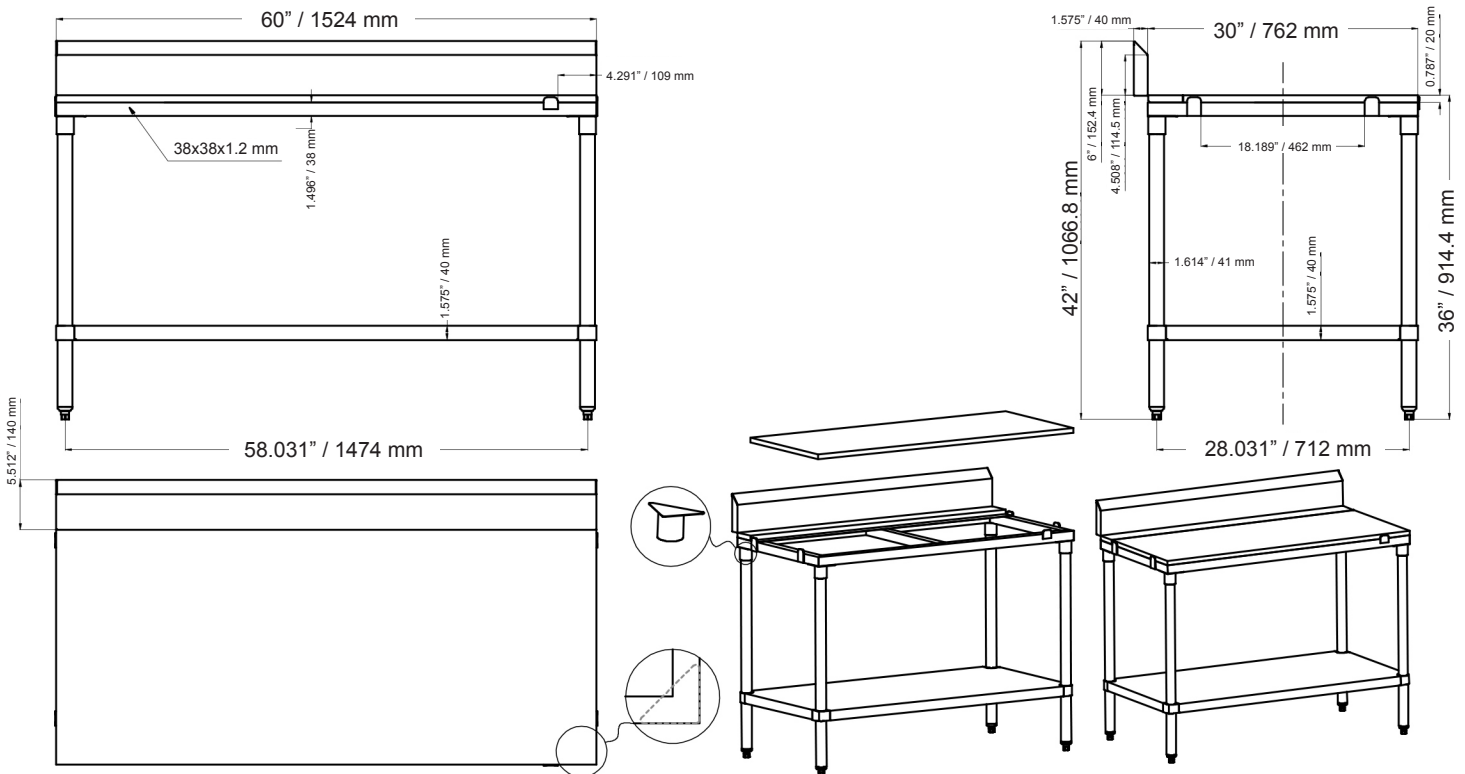


ITEM	41279
UNDERSHELF ITEM NO.	44282
DESCRIPTION	Solid poly top frame with shelf 30" x 60" with backslash
OVER-ALL LOADING CAPACITY	800 lbs. / 363 kg.
UNDERSHELF CAPACITY	490 lbs. / 222.3 kg.
WEIGHT	66 lbs. / 29.9 kg.
PACKAGING WEIGHT	70.4 lbs. / 31.9 kg.
DIMENSIONS (DWH)	30" x 60" x 42" 762 x 1524 x 1066.8 mm
PACKAGING DIMENSIONS	32" x 62" x 9" 812.8 x 1574.8 x 228.6

OPTIONAL POLY BOARDS *(Items sold separately)*

- **ITEM 43201:** 26" x 60" x 3/4" Poly Board (Loading Capacity: 590 lbs.)
- **ITEM 43202:** 26" x 60" x 1" Poly Board (Loading Capacity: 630 lbs.)

TECHNICAL DRAWINGS AND DIMENSIONS



OMCAN INC.

Telephone: 1-800-465-0234

Fax: (905) 607-0234

Email: sales@omcan.com

Website: www.omcan.com



Follow us to keep up to date with the latest news and offers



2016.E.O.E

STORAGE SOLUTION

SOLID POLY TOP FRAME WITH SHELF 30" x 72" WITH BACKSPASH

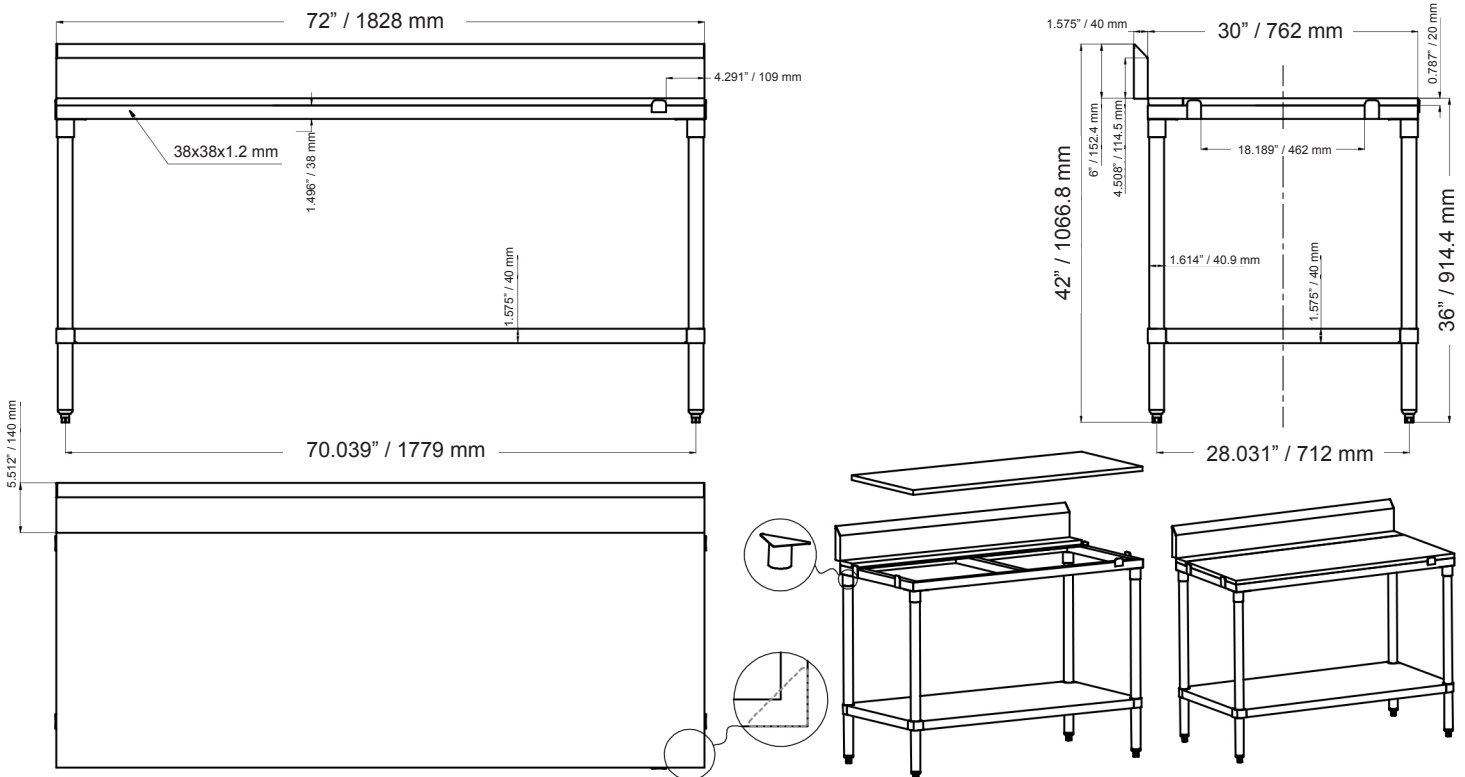


ITEM	41281
UNDERSHELF ITEM NO.	44245
DESCRIPTION	Solid polytop frame with shelf 30" x 72" with backplash
OVER-ALL LOADING CAPACITY	900 lbs. / 408.2 kg.
UNDERSHELF CAPACITY	520 lbs. / 235.9 kg.
WEIGHT	75 lbs. / 34 kg.
PACKAGING WEIGHT	82.5 lbs. / 37.4 kg.
DIMENSIONS (DWH)	30" x 72" x 42" 762 x 1828.8 x 1066.8 mm
PACKAGING DIMENSIONS	32" x 74" x 9" 812.8 x 1879.6 x 228.6 mm

OPTIONAL POLY BOARDS *(Items sold separately)*

- **ITEM 43203:** 26" x 72" x 3/4" Poly Board (Loading Capacity: 620 lbs.)
- **ITEM 43204:** 26" x 72" x 1" Poly Board (Loading Capacity: 660 lbs.)

TECHNICAL DRAWINGS AND DIMENSIONS



OMCAN INC.

Telephone: 1-800-465-0234

Fax: (905) 607-0234

Email: sales@omcan.com

Website: www.omcan.com



Follow us to keep up to date with the latest news and offers



2016.E.O.E